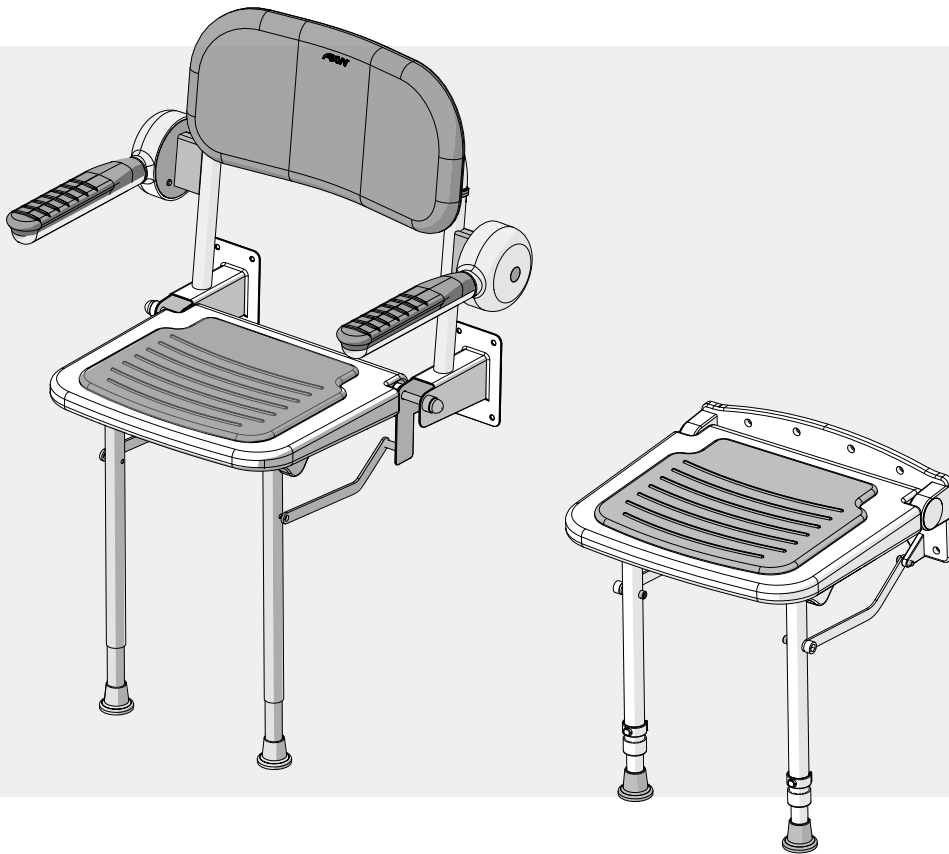


1000 Series Seats

INSTALLATION AND USER MANUAL

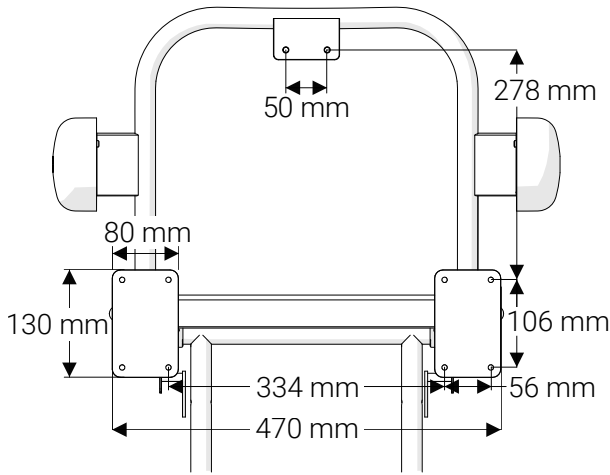


Please read all instructions before installation and leave this document with the end user for future reference as it contains important warranty information

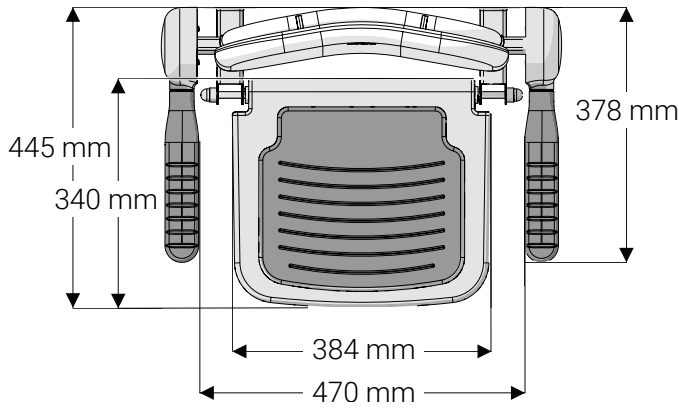
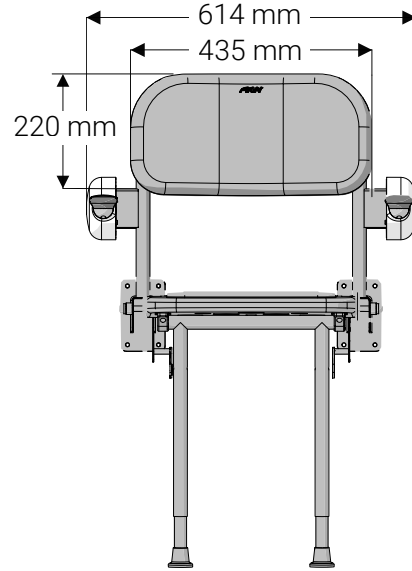
Dimensions

DIMENSIONS

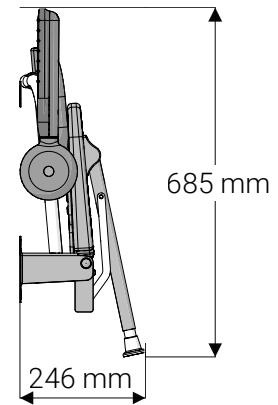
Mounting Hole Dimensions



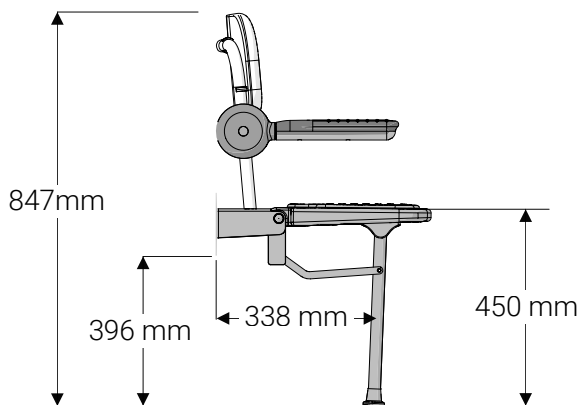
Seat Dimensions



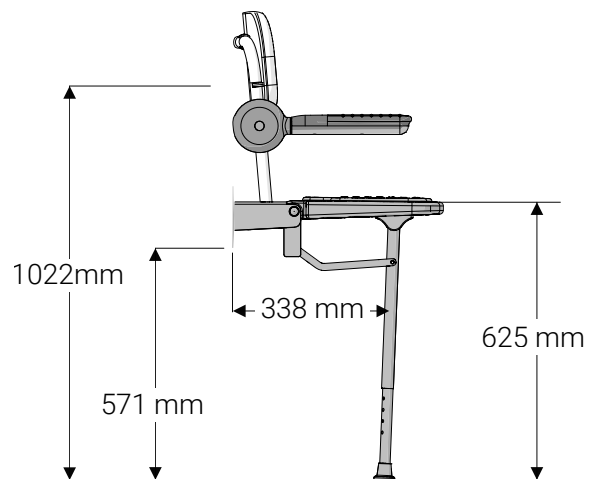
Folded Dimensions



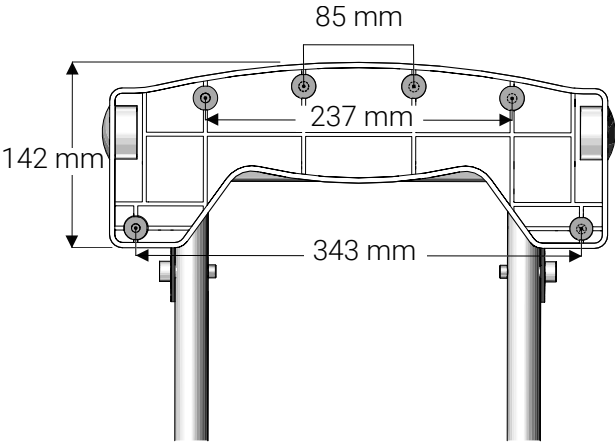
Minimum Height Dimensions



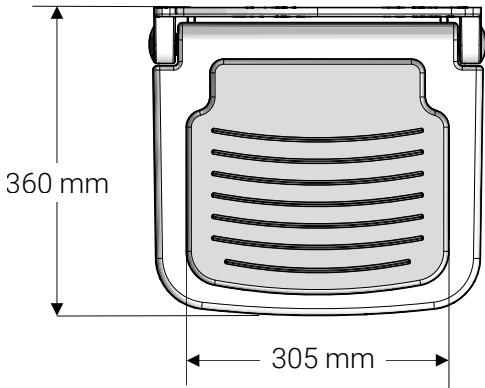
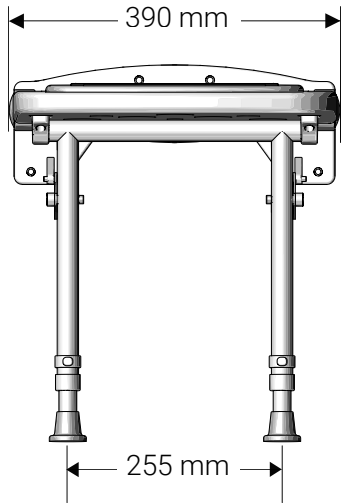
Maximum Height Dimensions



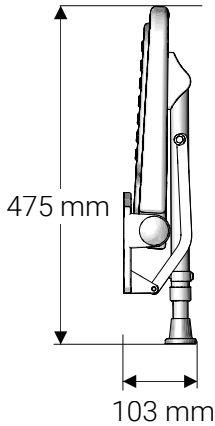
Mounting Hole Dimensions



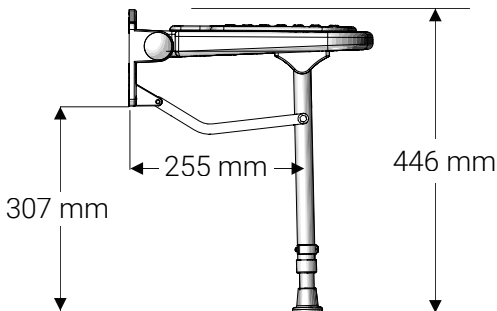
Seat Dimensions



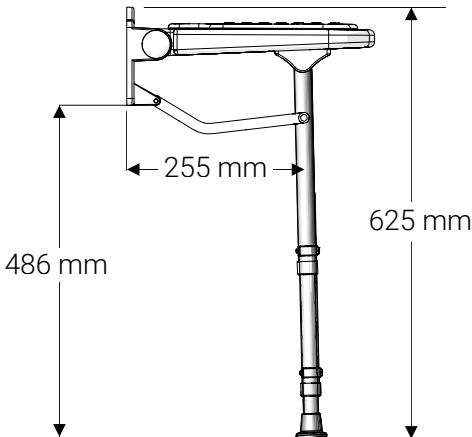
Folded Dimensions



Minimum Height Dimensions



Maximum Height Dimensions

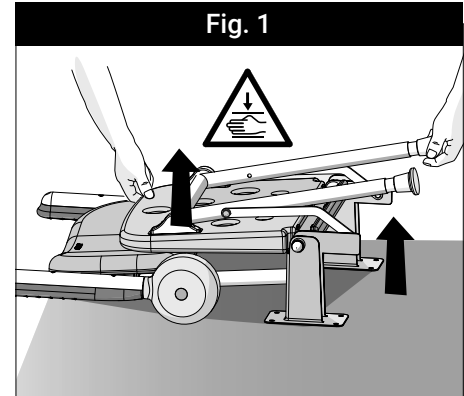


Installation

Never exceed the weight capacity of 25 st/158 kg/350 lb

Remove all packaging and examine the product for any damage or manufacturing faults. Notify the retailer immediately if damage or faults are found. Check that all items are present before discarding any packaging. The manufacturer cannot be held responsible for any installation costs that may arise from damaged or faulty products being installed and not in accordance with these instructions.

Be careful of the finger traps around the legs and frame. Hold the seat as shown in Fig. 1 if opening it when inverted. Do not force the legs away from the seat base.



Lift the seat base and legs up together.

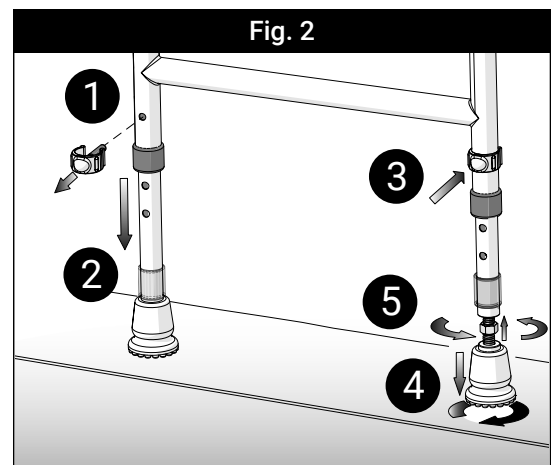
This seat must be attached to a finished vertical surface, capable of supporting the specified weight limits using suitable fixings appropriate to the type of surface and loading conditions to be applied. Check that the floor surface is suitable for the feet loading conditions. Acrylic shower trays are not recommended.

- Never exceed the weight capacity of 25 stone (158 kg) (350 lb)
- Do not use fixings with countersunk heads.
- Take care not to damage the painted surface on the brackets.
- Make sure that all fixing holes are used.
- Stainless steel fixings are recommended but not supplied.
- Once installed check that the plastic pivot caps are firmly in place and the leg C-clips are installed.

Leg Adjustment

One of the legs has fine tuning capability. Some installations may require one leg to be slightly longer than the other, to account for the slope of a shower tray for instance. For such installations, swap the legs over so that the leg with the screw and nut above the foot is on the side that needs to be longer.

Adjust the height of the legs by removing the C-clips, sliding the legs in or out, then replacing the C-clips.

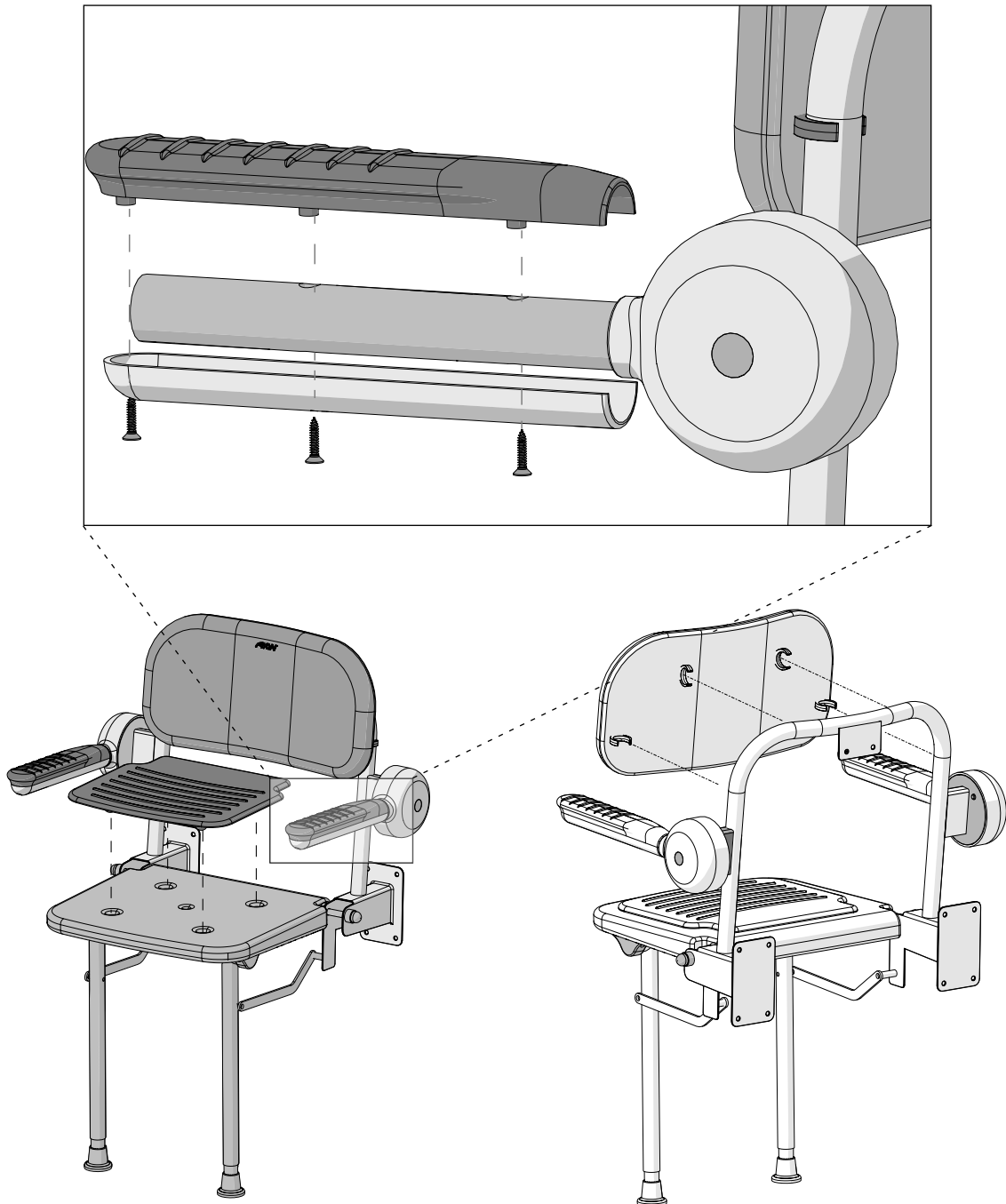


Once the seat has been fixed to the wall, perform any fine tuning of the leg. Slide the cover up the inner part of the leg. Back the nut off the inner leg and then unwind the foot. Move the nut into position and then wind the foot back in until the nut butts up to the inner leg. Both feet should be firmly on the floor, i.e. one foot should not be only just touching.

Cushion Assembly

Back, arm and seat pads are packed separately. Install the seat first before attaching the pads. Fasten the arm pads using the screws supplied as shown in the illustration.

The seat and back pads simply push into place as shown and are easily removed for cleaning.



Shower Seat Use

The shower seat must be used only for the task it is intended to perform.

Do not stand on it or misuse it. This may have serious detrimental effects on its performance and safety. If any maintenance is required, it must be carried out by a competent installer.

It is advised that this product should be checked as part of a planned maintenance programme.

Children and other users may require supervision when using this product.

Keeping your AKW Shower Seat Clean

This product should be cleaned periodically to remove any accumulation of hair or other waste material, using normal domestic bathroom cleaning materials. It is important to keep areas such as seals and moving parts clear from build up of grime and water deposits to maintain good working order. Always rinse the shower seat with warm water. After cleaning, always flush down with water then wipe thoroughly with a damp cloth to remove any cleaning material residues before drying off.

Disinfecting

Where disinfecting is necessary, standard established procedures for disinfecting equipment should be used with due care and attention taken of the warnings concerning possible effects of aggressive chemicals on plastics. Do not use strong or concentrated acidic, alkaline, or other cleaning materials on an abrasive pad as these may discolour or damage the product.

If more thorough cleaning is needed using domestic cleaning products always test on a small area first.

Packaging

Packaging should be disposed of in accordance with local recycling regulations.

Further information

These instructions are provided to advise the minimum standards of installation and recommend what the best practice for the installation is. Therefore due to the very wide variability of possible installation conditions, AKW cannot provide all circumstances for the installation. AKW cannot accept any liability in connection with this information or its use.

This information is provided on the condition that the person receiving it shall make his/her own tests to determine the suitability for his/her particular purpose. Failure to install this AKW product in accordance with supplied instructions or the making of unauthorised modifications will invalidate any warranty and may affect product safety. None of the foregoing affects your statutory rights.

Contact Us

AKW
Life Made Better

Orders & Quotes

01905 823 299
orders@akw-ltd.co.uk

General Enquiries

01905 823 298
sales@akw-ltd.co.uk

Technical Enquiries

01905 560 219
tech@akw-ltd.co.uk

Kitchen Enquiries

01905 823 262
kitchens@akw-ltd.co.uk

Fax

01905 823 297

AKW

Pointon Way, Hampton Lovett
Droitwich Spa, WR9 0LR

www.akw-ltd.co.uk
orders.akw-ltd.co.uk

Follow us on Social:



Warranty

Warranty applies only to manufacturing or material defects, conditional on the one-time correct installation of the product. It does not apply to:

- Inappropriate use or accidental damage.
- Damage or defects that result from incorrect installation.
- Lack of maintenance including the build up of grime or damage resulting from inappropriate cleaning.
- Damage or defects that result from repairs or modifications undertaken by unauthorised persons.
- General wear and tear through usage and does not apply to surface finishes.

Warranty period starts from the date of installation. See the T&Cs on our website for further information.

Select 1 of 2 ways to activate your warranty



1. Scan using your Smart Device



2. Visit Online

akw-ltd.co.uk/warranty-information

What to do if something goes wrong?

In the event that you encounter a problem with this product, follow the trouble shooting guide if applicable, then contact your local installer. If the issue is still unresolved, contact AKW Technical Enquiries who will provide further advice and arrange for a maintenance engineer to visit if necessary. None of the foregoing affects your statutory rights.